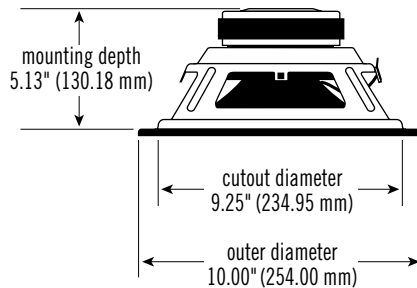


SPECIFICATIONS

DIAMETER: 10" (254.0 mm)
 SENSITIVITY (2.83 V @ 1 m): 94 dB
 POWER HANDLING: 260 W_{RMS}
 FREQUENCY RESPONSE: 30 ~ 3,500 Hz
 NOMINAL IMPEDANCE: 4 OHMS (PER COIL)
 VOICE-COIL DIAMETER: 2.0" (50.7 mm)

DIMENSIONS:

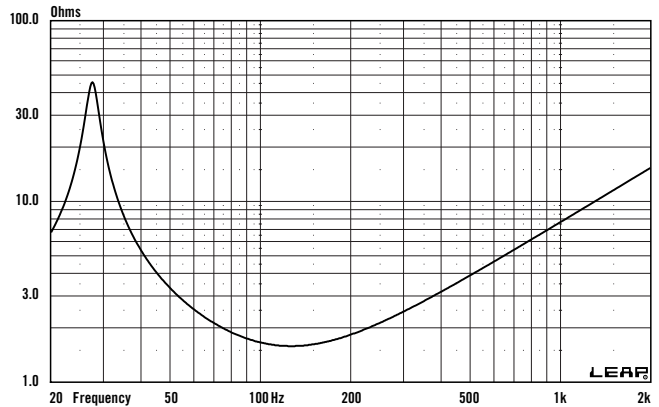


THIELE-SMALL PARAMETERS*

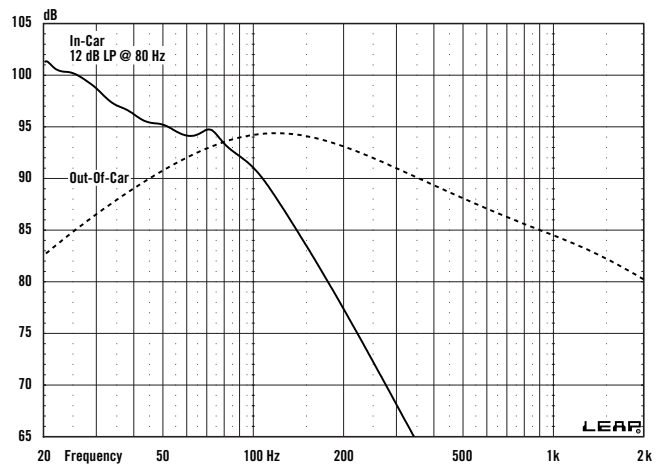
VOICE COIL DC RESISTANCE: R_{EVC} (OHMS) 1.54
 VOICE COIL INDUCTANCE @ 1 kHz: L_{EVC} (MH) 1.22
 DRIVER RADIATING AREA: S_D (IN²) 54.78
 S_D (CM²) 355.00
 MOTOR FORCE FACTOR: BL (TM) 7.22
 COMPLIANCE VOLUME: V_{AS} (FT³) 2.63
 V_{AS} (LITERS) 62.10
 SUSPENSION COMPLIANCE: C_{MS} (µM/N) 443.54
 MOVING MASS, AIR LOAD: M_{MS} (GRAMS) 74.66
 MOVING MASS, DIAPHRAGM: M_{MD} (GRAMS) 71.46
 FREE-AIR RESONANCE: F_S (Hz) 27.66
 MECHANICAL Q: Q_{MS} 10.98
 ELECTRICAL Q: Q_{ES} 0.38
 TOTAL Q: Q_{TS} 0.37
 MAGNETIC-GAP HEIGHT: H_{AG} (IN) 0.31
 H_{AG} (MM) 7.92
 VOICE-COIL HEIGHT: H_{VC} (IN) 0.88
 H_{VC} (MM) 22.23
 MAXIMUM EXCURSION: X_{MAX} (IN) 0.28
 X_{MAX} (MM) 7.15

*VOICE COILS CONNECTED IN PARALLEL

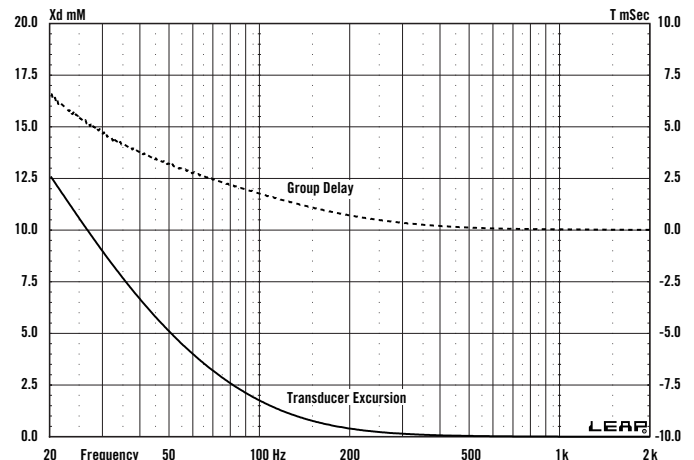
IMPEDANCE CURVE



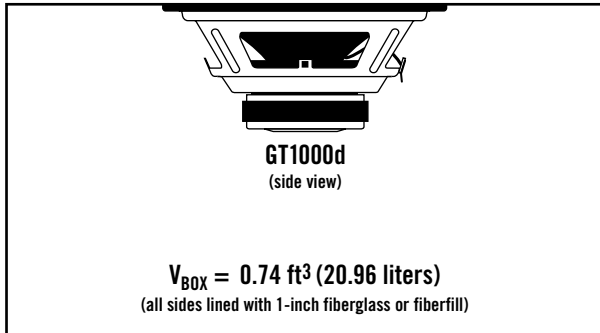
**INFINITE BAFFLE
 FREQUENCY RESPONSE @ 2.83 V**



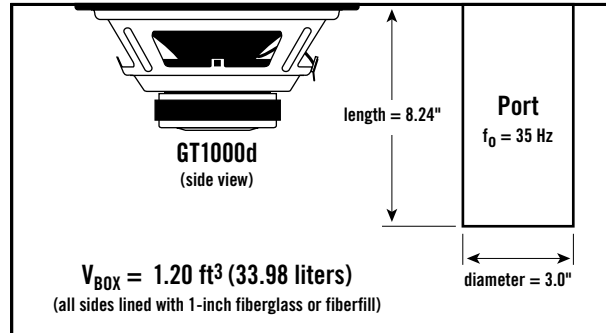
**INFINITE BAFFLE
 EXCURSION/GROUP DELAY @ 40 W**



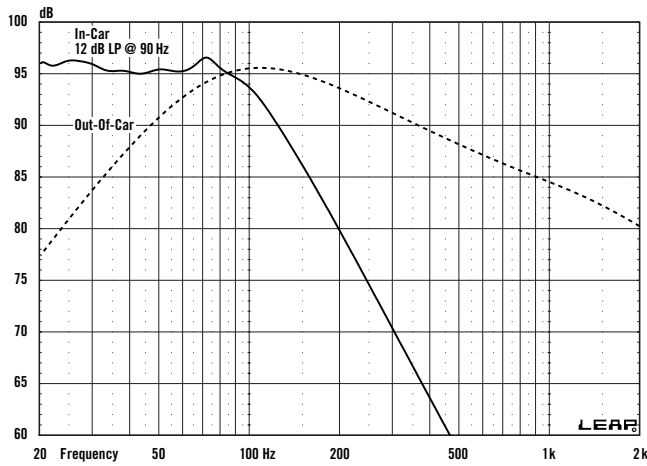
SEALED BOX VOLUME



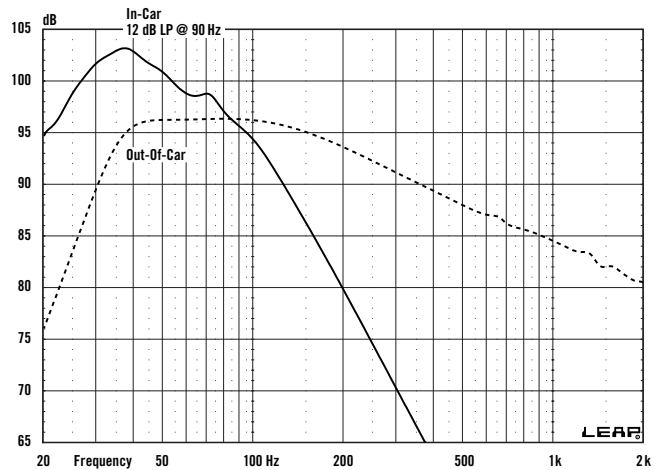
VENTED BOX VOLUME



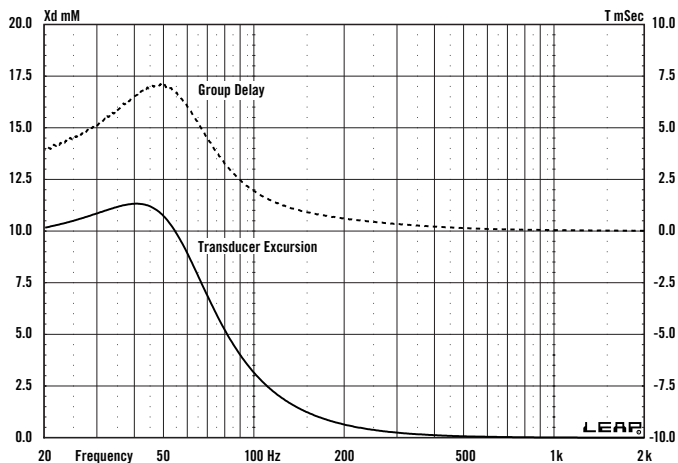
SEALED FREQUENCY RESPONSE @ 2.83 V



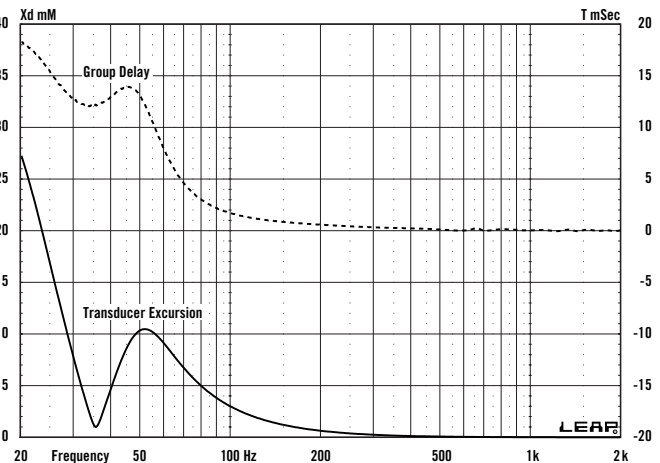
VENTED FREQUENCY RESPONSE @ 2.83 V



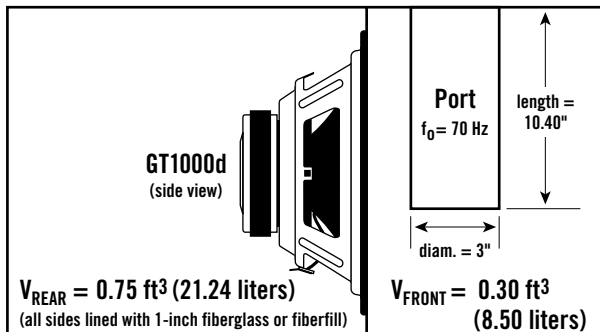
SEALED EXCURSION/GROUP DELAY @ 175 W



VENTED EXCURSION/GROUP DELAY @ 175 W

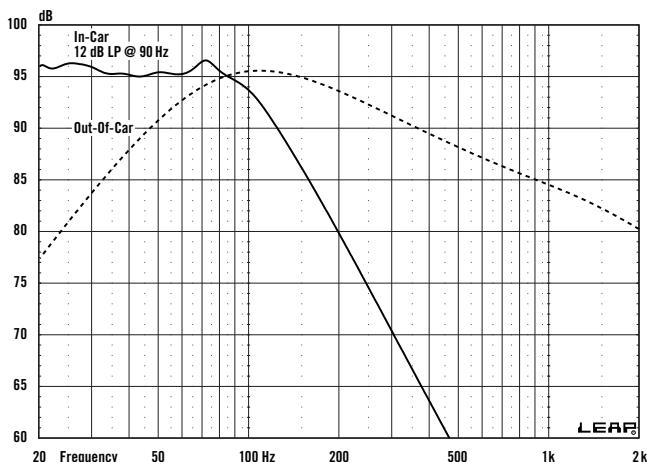


SEALED BANDPASS BOX VOLUME



NOTES

SEALED BANDPASS FREQUENCY RESPONSE @ 2.83 V



SEALED BANDPASS EXCURSION/GROUP DELAY @ 150 W

